

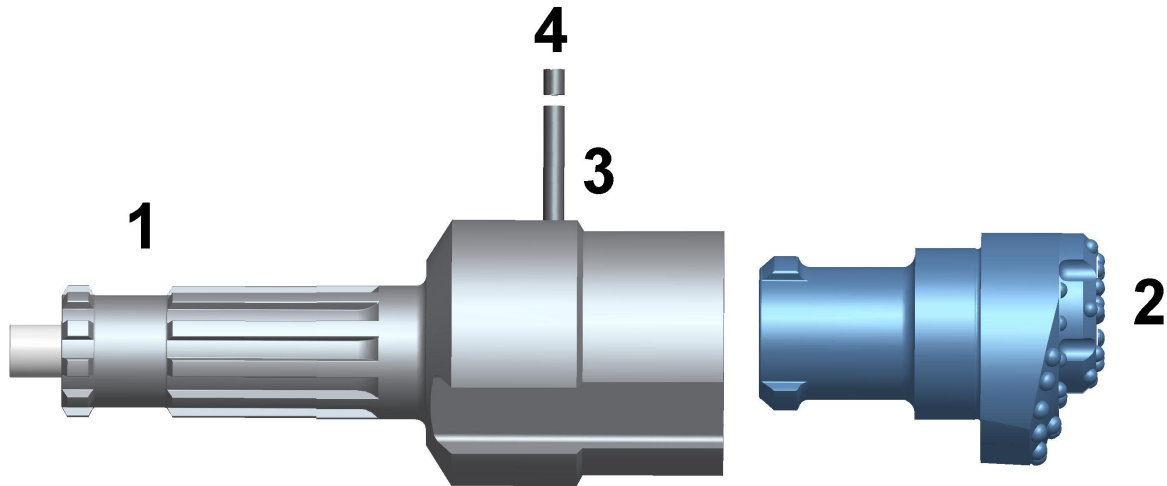
PITUMEC

THE PES 140 ECCENTRIC UNDERREAMING SYSTEM



CASING SIZE 168MM OD X 153MM ID DRILLING DIA. 188MM

PNEUMEC PES 140 ECCENTRIC UNDERREAMING SYSTEM



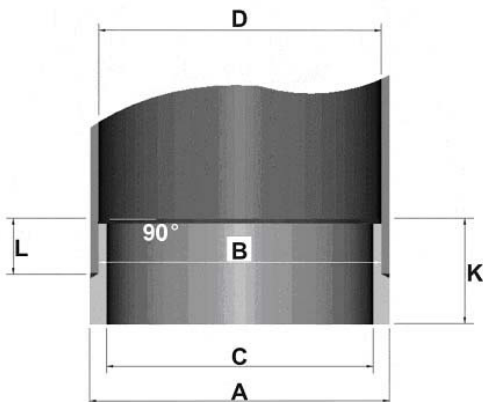
PES 140 PARTS LIST

1.	GUIDE DEVICE DHD350 SHANK	UGD140350PES
2.	ECCENTRIC BIT	UPB140PES
3.	LOCKING PIN	USP14050PES
4.	SPLIT PIN	USP14051PES
5.	COMPLETE SYSTEM	UCS140350PES

PES 140 SPECIFICATIONS

UPPER BODY DIAMETER	151MM	CLOSED DIAMETER	140MM
REAMING DIAMETER	188MM	CASING SIZE	168MM OD X 153MM ID
SYSTEM LENGTH	570MM	SYSTEM WEIGHT	50KG

PES 140 CASING SHOES



DIA. A	168MM
DIA. B	152MM
DIA. C	141.5MM
DIA. D	153MM
L	65MM
K	110MM

PNEUMEC

PNEUMEC COMPANY LIMITED

1st Floor, Tin On Sing Comm. Bldg., 41-43 Graham St. Central, H.K.

Tel : (852) 2180 9922

Fax : (852) 2180 9982

Website : www.pneumec.com

email : info@pneumec.com